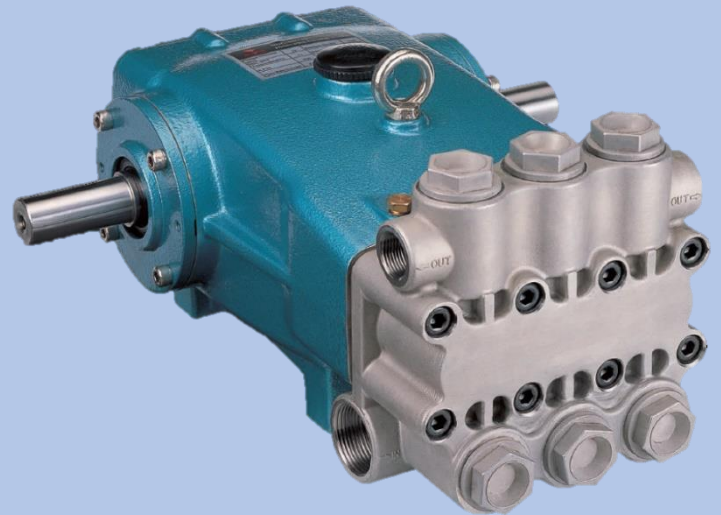
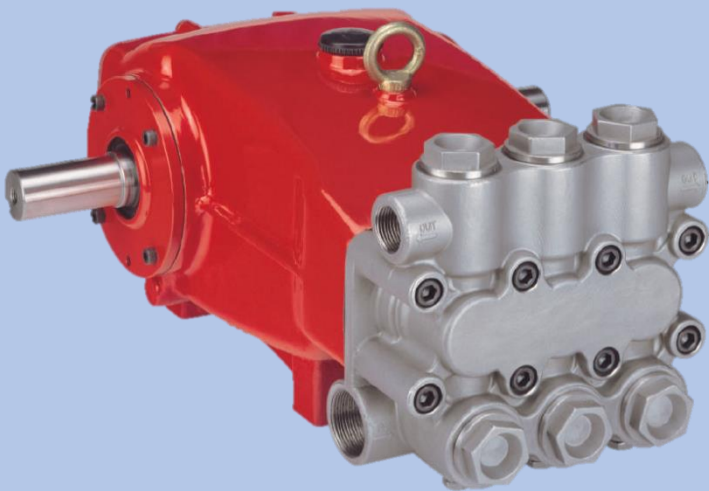




HIGH PRESSURE RECIPROCATING PUMPS

PRODUCT CATALOGUE



TN3 Series

SY3 Series

SY5 Series

Uncompromised Quality

JEL Industrial Triplex and Quintuplex Plunger Pumps are manufactured with the closest tolerance control and are fully tested before being delivered to their end destination. These pumps incorporate the latest and highest quality materials to meet any of the most critical conditions. At JEL, we pride ourselves on consistent quality control as it is a guarantee we provide to all our current and potential clients.

Contents

Pump Features	Page 3
Pump Data	Page 3
Coverage Chart	Page 4
Pump Drawings	Page 6

Formulas

Determining Pump RPM

$$\text{Desired Rated Flow Rate (GPM)} = \frac{\text{Desired Rated RPM}}{\text{Rated RPM}} \times \text{Rated Flow Rate (GPM)}$$

Determining Pump Power (HP)

$$\text{Pump Power (HP)} = \frac{\text{Flow Rate (GPM)} \times \text{Discharge Pressure (PSI)}}{1460 \times \text{Pump Efficiency}}$$

Determining Motor Pulley Size

$$\text{Motor Pully OD} = \frac{\text{Pump RPM}}{\text{Motor RPM}} \times \text{Pump Pully OD}$$

Pump Features

- Nitrite Chrome Molybdenum Steel Crankshaft
- Teflon Seal
- Ceramic Plungers
- POM Valve Cage
- Stainless Steel Valve Disc, Spring and Seat
- Aerial Aluminum Alloy Connecting Rods
- A5052 (A356) Gravity Casting Aluminum Alloy Crankcase

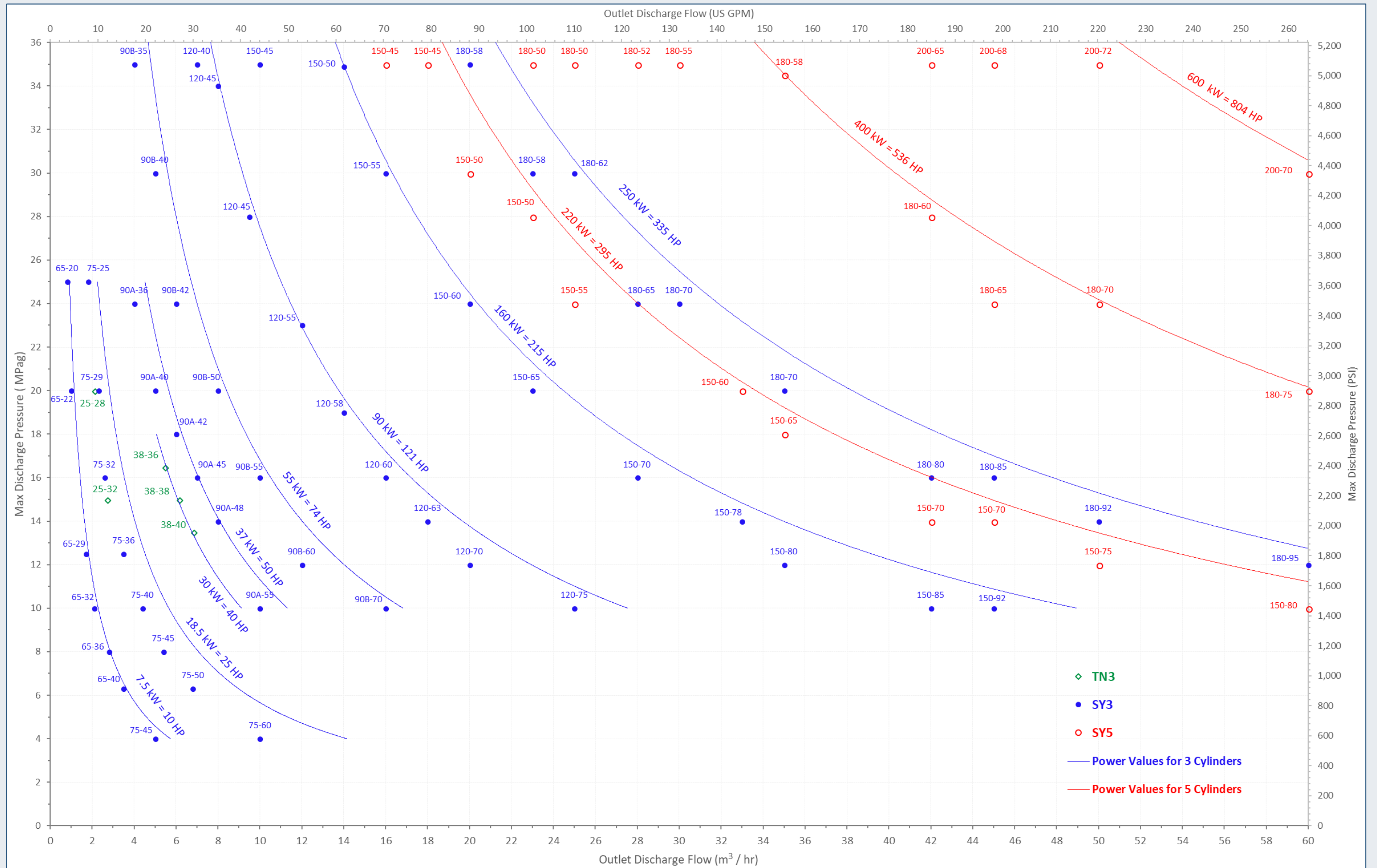
Pump Data

Construction	Pump Series	Stroke	Plunger Diameter	Rated Motor Power	Outlet Discharge Flow		Max Allowable Working Pressure (MAWP)		Pump Shaft Speed	Inlet Pipe	Outlet Pipe
		mm	mm	HP	m ³ /hr	GPM	MPa	psi	RPM	in	in
Triplex (3-cylinder)	TN3 - 25	25	28 - 32	10 - 25	2.1 - 2.7	9 - 12	15 - 20	2,176 - 2,901	500- 800	1.25	0.75
	TN3 - 38	38	36 - 40	25 - 40	5.5 - 6.8	24 - 30	13.5-16.5	1,958 - 2,393	500 - 850	1.5	1
	TN3 - 45	45	40	25 - 40	7.7	34	12	1,740	500 - 800	1.5	1
	SY3 - 65	65	20 - 40	5 - 10	0.8 - 3.5	4 - 15	6.3 - 25	914 - 3,626	180 - 235	1	0.5
	SY3 - 75	75	25 - 60	25 - 10	1.8 - 10	8 - 44	4 - 45	580 - 3,626	180 - 290	1	0.5
	SY3 - 90A	90	36 - 55	25 - 50	4 - 10	18 - 44	10 -24	1,450 - 3,481	180 - 290	1.25 - 2	1 - 1.5
	SY3 - 90B	90	35 - 70	50 - 75	4 - 16	18 - 70	10 - 35	1,450 - 5,076	180 - 280	1.25 - 2.5	1 - 2
	SY3 - 120	120	40 - 75	75 - 125	7 - 25	31 - 110	10 - 35	1,450 - 5,076	180 - 280	1.5 - 3	1.25 - 2.5
	SY3 - 150	150	45 - 92	125 - 250	10 - 45	44 - 198	10 - 35	1,450 - 5,076	180 - 290	2 - 5	1.5 - 3
	SY3 - 180	180	58 - 95	250 - 350	20 - 60	88 - 264	12 - 35	1,740 - 5,076	180 - 285	2.5 - 5	2 - 4
Quintuplex (5-cyl.)	SY5 - 120	120	45 - 80	250 - 300	16 - 60	70 - 264	10 - 35	1,450 - 5,076	180 - 285	2.5 - 5	2 - 3
	SY5 - 150	150	50 - 75	300 - 550	23 - 60	101 - 264	20 - 35	2,901 - 5,076	180 - 270	3 - 5	2.5 - 3
	SY5 - 180	180	65 - 72	550 - 800	42 - 60	185 - 220	30 - 35	4,351 - 5,076	180 - 280	5	3 - 4

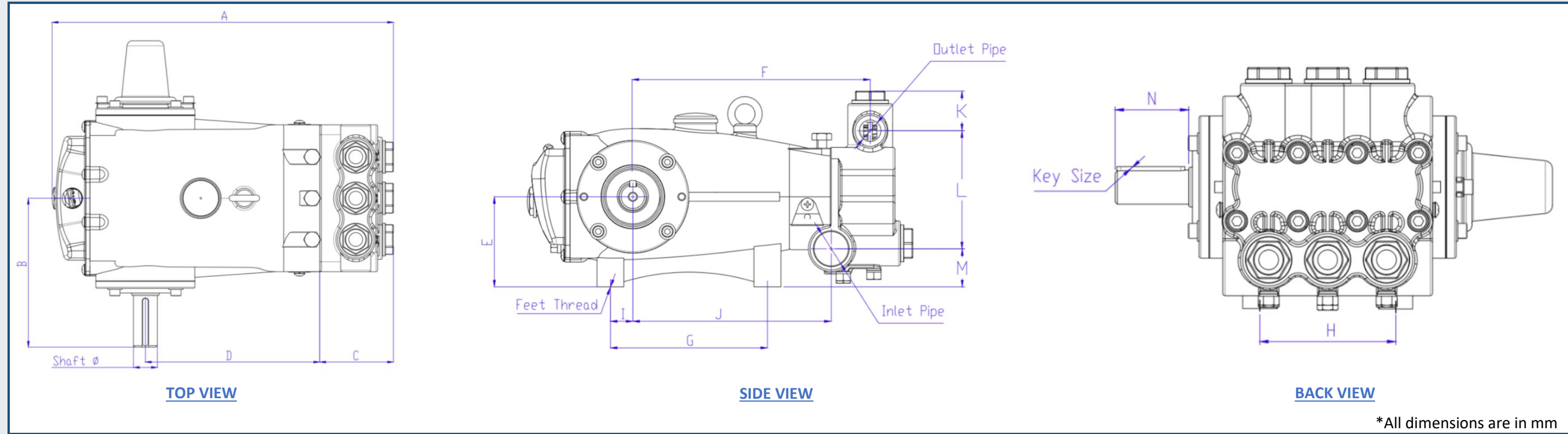
Notes:

- 1- The pump efficiency is 85 to 86% for all models
- 2- The pump volumetric efficiency is 93 to 95% for all models
- 3- The Required NPSH is 5.5 to 6.5 m (18 to 21.3 ft) for all models

Pump Coverage Chart



Drawings



	JEL Model	A	B	C	D	E	F	G	H	I	J	K	L	M	N	Outlet pipe	Inlet Pipe	Feet Thread	Shaft ϕ	Key Size
Triplex (3-cylinder)	TN3 - 25	431	187.5	93	220	100	265.5	175	120	25	222	44	131	38.2	65	3/4" NPT/PT	1-1/4" NPT/PT	M12 x P1.75 x 18	30	7
	TN3 - 38	568.5	233	111.5	300	135.5	357	220	140	30	305	53	159	50	80	1" NPT/PT	1-1/2" NPT/PT	M14 x P2.0 x 24	40	10 x 8
	TN3 - 45	568.5	233	111.5	300	135.5	357	220	140	30	305	53	159	50	80	1" NPT/PT	1-1/2" NPT/PT	M14 x P2.0 x 24	35	10 x 8
	SY3 - 65	810	285.5	206	442	165	544.5	410	360	75	544.5	94	222	55.5	85	34	60	14	45	14
	SY3 - 75	1024	344	184.5	680	230	762	640	320	50	762	95	229	116	113	42	76	18	60	18
	SY3 - 90A	1105	393	162.5	760	235	842	770	360	90	842	91	251	105	140	50	60	22	60	18
	SY3 - 90B	1200	457.5	214	769	270	886.5	917.5	420	31	886.5	108	385	12	140	100	50	22	90	25
	SY3 - 120	1525	540	332.5	978	240	1100	1000	520	150	1100	153	477	62	170	80	100	27	100	28
	SY3 - 150	1857	646	340	1185	380	1310	1220	610	220	1310	155	485	75	218	60	104	33	160	40
SY3 - 180	2070	738.5	356	1385	400	1535	1440	670	240	1353	155	498	90	281	90	150	33	180	45	
Quintuplex (5-cyl)	SY5 - 120	1875	908.5	290	1185	380	1323	1220	1075	220	1323	170	618	10	223	108	168	33	160	40
	SY5 - 150	2100	1106	356	1385	400	1537	1440	1200	240	1537	155	498	99	287	114	168	33	180	45
	SY5 - 180	2540	1309	457	1710	400	1885	1235	1680	150	1885	210	740	50	350	168	219	26	220	50



Distributer



WESTCOMM Pump & Equipment Ltd.

Unit #2, 3424-26th Street NE
Calgary, Alberta T1Y 4T7
Toll Free: 888-907-PUMP (7867)
Tel: 403-215-PUMP (7867)
Fax: 403-215-7868

www.westcommumpump.com