



**PROGRESSIVE
CAVITY PUMPS**

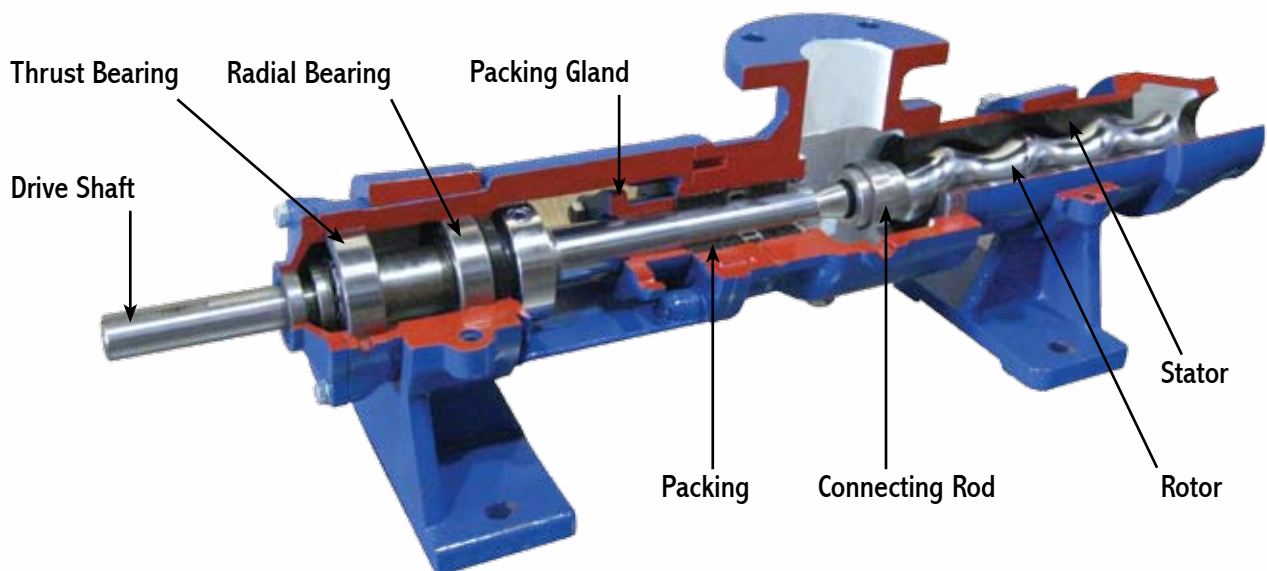


PERFORMANCE DATA

- Capacities up to 400 GPM
- Pressures up to 750 psi
- Suction lifts up to 28 feet
- Fluid temperatures up to 350oF
- Handles solids up to 1" in diameter
- Reversible Rotation
- Handles viscosities over 1,000,000 cp
- Self-priming capability prevents vapour or air lock
- Pin-type universal joint assembly allows for easy maintenance

Vigor Pumps are among the most reliable and versatile pumps on the market. They cover a wide range of unique applications such as high viscosities, solids content, and emulsions. Vigor pumps produce non-pulsating uniform flow ideal for accurate process control. With various material combinations available, we are able to provide optimal resistance to most fluid applications.

MATERIALS OF CONSTRUCTION		
	Standard Materials	Special Materials†
Pump body	Cast Iron 316 Stainless Steel	Carpenter 20 Hastelloy*, Monel***
Internals, Including Rotor	Alloy Steel 316 Stainless Steel	Carpenter 20 Hastelloy**, Monel***
Stators	EPDM (to 260° F) Fluoroelastomer (to 350° F) Nitrile (to 210° F) Natural Rubber (to 185° F)	Viton**, Thiokol****, Hypalon**, Teflon** White Nitrile, Urethane Alloy Steel, 416 Stainless Steel





APPLICATIONS

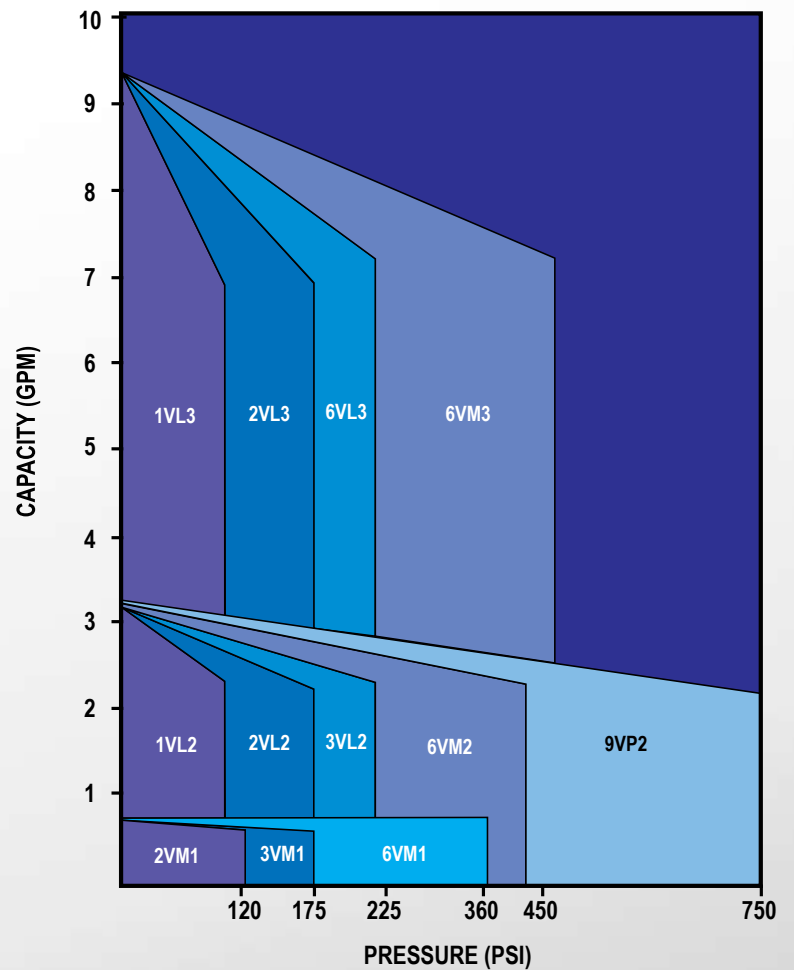
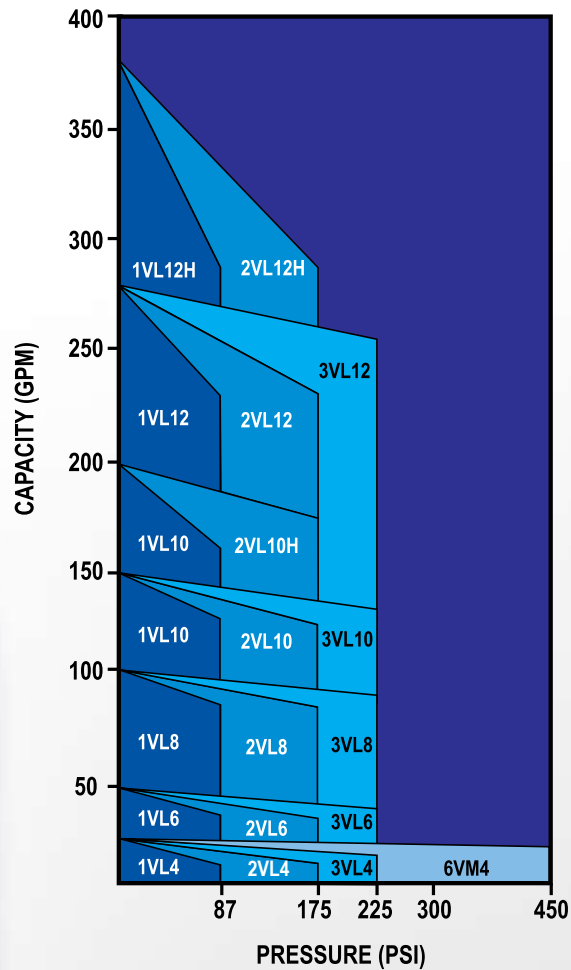
- Crude Oil
- Polymers
- Food and drink
- Viscous chemicals
- Sewage
- Sludge
- Slurry
- Starch
- Lubricants
- Mortar/Grout/Asphalt

PARTS AND SERVICES

Vigor parts are 100% interchangeable with any "L" frame model. Our parts department is ready and willing to ensure that proper materials are provided for your unique application.



HYDRAULIC SIZE CHARTS



CONTACT INFORMATION

Westcomm Pump & Equipment Ltd.

Unit 2, 3424 – 26th Street N.E.
Calgary, AB T1Y 4T7
Tel 403-215-7867
Fax 403-215-7868

3265 Parsons Road
Edmonton, AB T6N 1B4
Tel 780-490-4223
Fax 780-466-7047

www.westcommumpump.com



Westcomm Pump & Equipment Ltd.